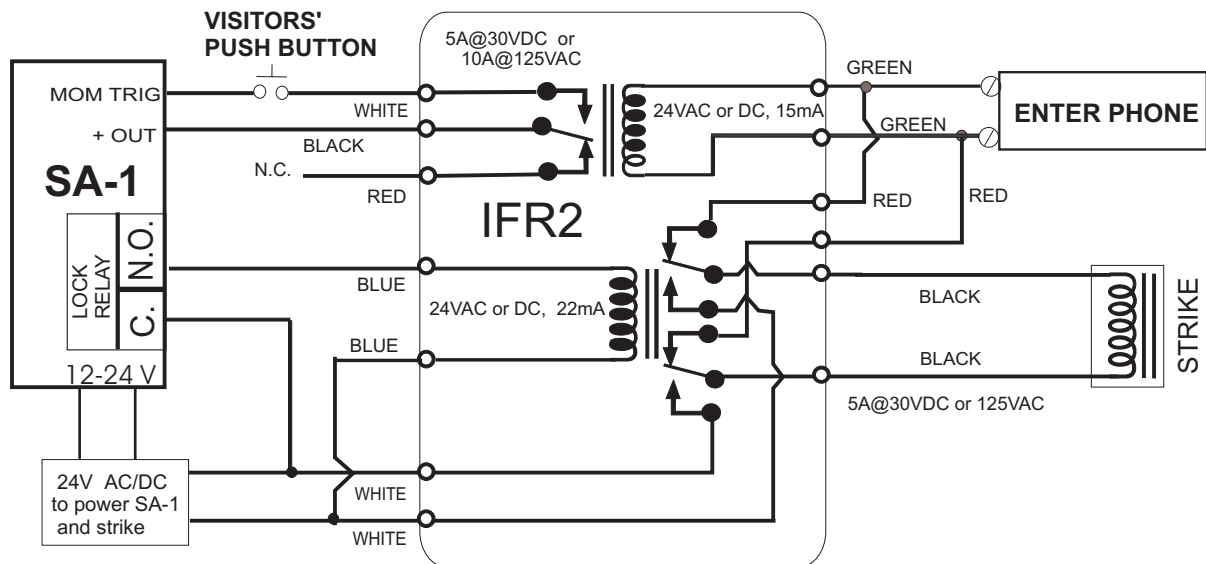


Isolation and Auxiliary Relay Module

There are two primary reasons for needing an extra relay in your installation. One case is to switch to a higher current than your device is rated for. This is often needed for motorized crash bars and other power assisted devices.

Another situation that requires the extra relay, is when linking signals from one device to another. Their voltages may be incompatible or there may be a DC or AC potential between their respective "grounds" - their zero reference voltage. This potential difference would cause excessive currents if the devices are directly linked together.

In the example shown below, the relay module isolates the enterphone voltages from the SA-1.



Since there are so many different installation possibilities, let us know what you need for your installation.

We can make it work for you.