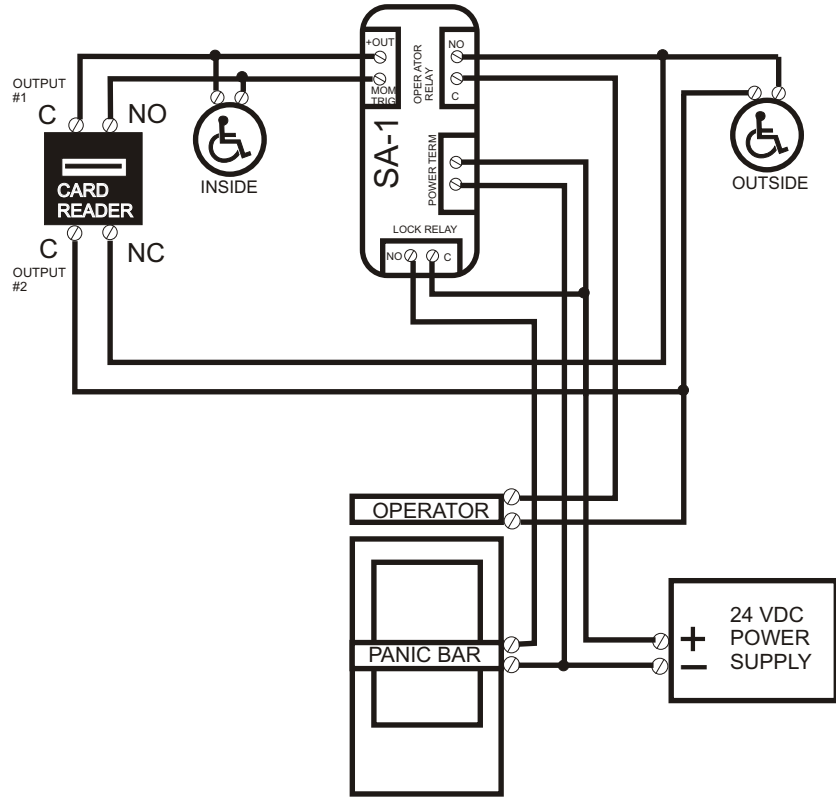


Subject: Using the SA-1 with a card reader

This wiring diagram is based upon the premise that the card reader supplies 2 form C contacts (spdt) when a valid card is read.



The C/NO (output #1) contacts close momentarily to trigger the SA-1. The C/NC (output #2) contacts open for the same time. They are used to short out the outside handicap switch and allow the operator to engage when the inside button is used. Since the contacts open when the card reader is used, the outside button must be pressed when the card reader is used.

***Therefore, the #2 card reader contacts MUST be open longer than the time for the SA-1 to close and re-open the the operator relay contacts. This should be about 10 seconds to allow someone to reach and press the outside button. If they close prematurely, the door will open. ***

If the card reader supplies only one set of contacts, you need a dpdt relay. Control the relay with the card reader. Each set of contacts in the relay is wired in place of the contacts shown in the diagram.

If the card reader cannot supply a timed output, or it is not long enough, a utility timer can be triggered by the card reader contacts. If the utility timer has a dpdt relay output, then it can be wired in as shown. If the timer only has one set of contacts, use it AND the relay to get the contacts and timing needed as shown in the diagram.

